

**SHEET NO : 03**

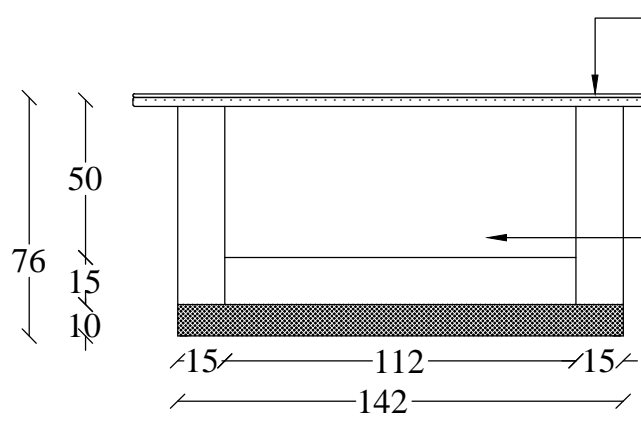
ALL DIMENSIONS ARE IN CMS  
DO NOT MEASURE THIS DRAWING

CLIENT	UNITED INDIA INSURANCE
APPD. BY : A. DEY	DIVISIONAL OFFICE-PATNAMAMHITTA
DATE :09-03-2018	REV. NO. :0
DRAWN BY : JKC	NOTATION :
SCALE :SCALE TO FIT	REF. :
FURNITURE LAYOUT	

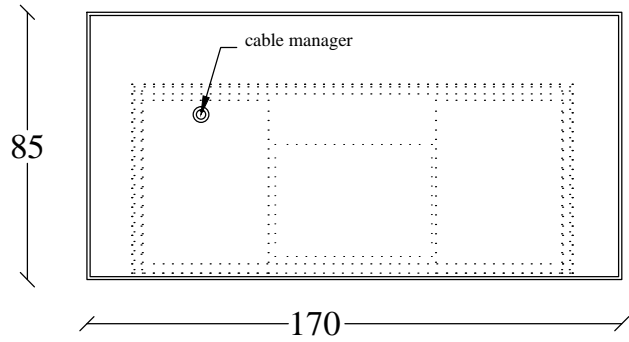
**DEARCH ARCHITECTS PRIVATE LIMITED**  
 XX-1 X/61/8 a, Pappan house, ravipattanam, Kochi - 682035  
 PHONE :+91 -484-2358949  
 TELEFAX :+91 4484 -2358949  
 Email: dearch@rediffmail.com

DELHI KOLKATA MUMBAI KOCHI

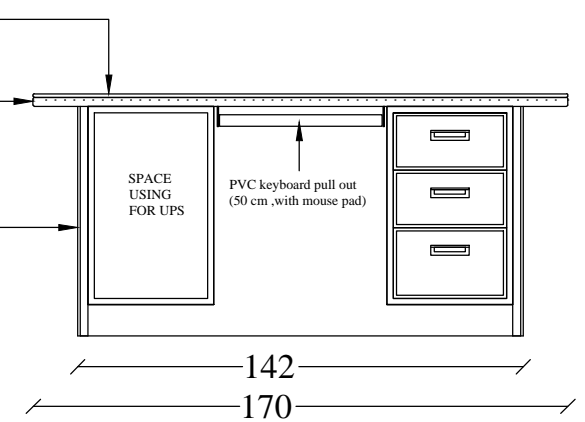
This is the property of DEARCH ARCHITECTS PRIVATE LTD and should be returned after execution. This must not be used by anyone without permission. Any queries in the drawing should be clarified prior to execution.



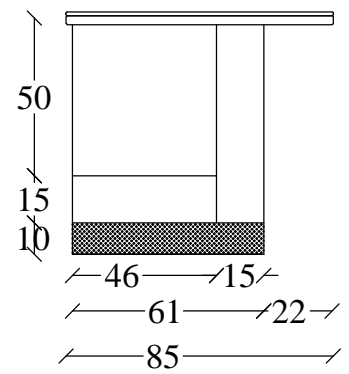
ELEVATION



PLAN



REAR ELEVATION



SIDE ELEVATION

	NEW MIKA AMPLE MAPLE -3056
	NEW MIKA SAPLE EXOTIC-3355

**NOTE:-** (The necessary repairs for the Drw set. Like fixing lock & handle etc. The inside of the tables & drawset painted with 2 coats of Enamel paint of approved colour . Also provide 20 cm wide CPU stand with 19 mm plywood edges finished with putty & paint .)

# DM'S TABLE (Existing table modification)